



GSM Gateway INTD0909
voice / data



GSM Gateway
voice / data

INTD0909

- Page 2 General Description - Specification
- Page 3 Wiring-Connection
- Page 4 Quick-Start Setup
- Page 5 LEDs Indication
- Page 6 SMS programming codes
- Page 7 Extra Information - Technical support

Please read carefully the instructions in order to
get all the benefits of this device.



General Description:

The GSM gateway INTD0909 is an electronic device which can be used as a stand alone voice & data communication gateway for almost any remote use. It is specially designed for elevator installations and combined with INTD0900, it unlocks many features for reliable, robust and secure emergency GSM/Phone line calls.

The GSM gateway INTD0909 operates with 230V AC mains input or from a backup battery (SLA type) 6,3V. If mains power fails, it switches to backup battery operation and it can fully operate for up to 6 hour. The device does real time battery charging/conditioning/maintaining and RF antenna signal strength monitoring.

Combined with our external I/O expansion card, the INTD0909 can be transformed as an Input/output wireless remote monitoring and controlling device!

Caution : The installation and settings of the device, must be done by a qualified person.

Specifications:

Power supply	230V AC 50Hz
On board battery type	Sealed Lead Acid GEL type 6V/1.3Ah
Battery charger type	Trickle charging with MCU monitoring
Power consumption	3.5W continuous, all features on, all led on
Network bands	GSM 850/900/1800/1900MHz
Phone Line connection	Standard RJ-45 jack
Ext. Line connection	Standard RJ-45 jack
SIM card type	Standard, 3V
On board connectivity	<ul style="list-style-type: none"> ● 2 optically isolated inputs ● 2 relay outputs ● Optional add on card serially controlled ,for extending up to 8 inputs / 8 Outputs
Operation temperature	0-60°C
Operation humidity	10-80% (non condensing)
Dimensions (External)	60 x 210 x 145 mm (H x W x D)
Weight (Total/w Battery)	1Kg



Wiring-Connection:

Connect the antenna at the terminal to the side of the box. Make sure for good locking

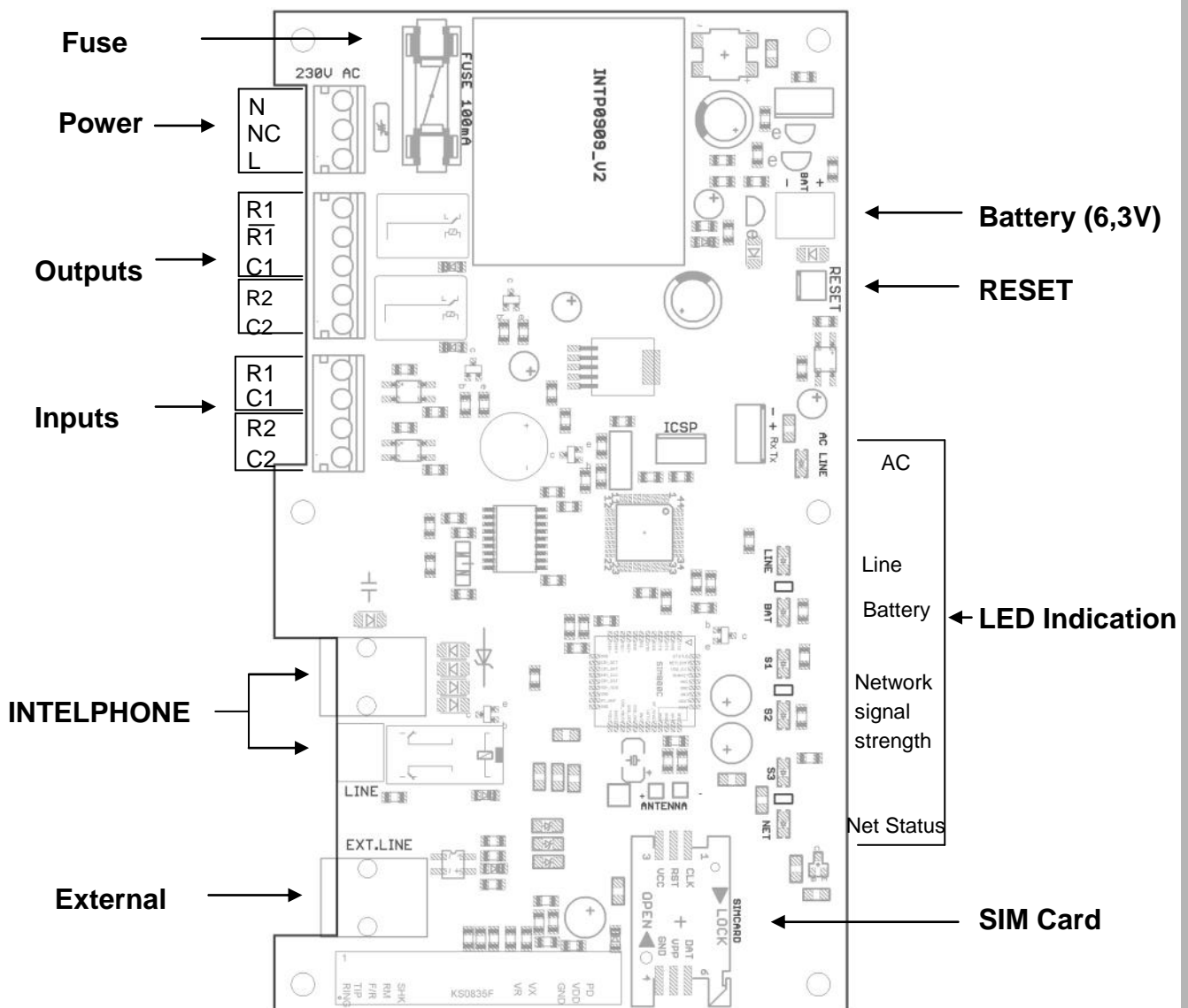
Connect at the terminal PHONE of the device the telephone which will be used (simple telephone or emergency telephone).

Install the SIM Card to SIM holder. **Make sure that you have deactivated the PIN number first.**

Connect the 2 cables (Black and Red) to the right poles of the battery.

Connect the power cable to the terminal and plug it to the 230V AC.

Make a short circuit at the jumper “RESET” beside of the terminal BAT.





Quick-Start Setup:

STEP 1

In order to startup the GSM Gateway device, please power up the device and then short RESET pins by placing the RESET jumper. At startup of the device one short buzz sound.

STEP 2

Device makes a quick check on AC power supply. If there is no AC power, device will start up, powered from Battery if connected and it is good charged. While device performs the action above all onboard leds are keep blinking every 500 ms .

STEP 3

After 4-5 sec device will start seeking for network to connect according to provider of the applied SIM card and while this action S1,S2 and S3 leds are blinking and Network led is blinking every 500 ms indicating that no network found till now. If Network can not be found in a specific period of time, device timeout the process.

If Network did not found, device will work with *"NO SIM Card detect"* and can only make outgoings call to (112) . If Network is approached device will work with *"SIM Card detect"* and fully functional.

STEP 4

When S1,S2 and S3 leds stop blinking and Network led blink every 3 seconds then onboard buzzer will buzz 2 times with short pause between.

Double buzzing sound let the user know that the startup process is just finished and device is READY FOR USE, with every feature available to the user according the status of network connection.

Functions with *"SIM Card detected"* :

- Voice Ready
- SMS Ready
- Data Ready (Not Available)
- Battery check

Functions with *"SIM Card not detected"* :

- Limited Voice Ready (International Emergency Number (112))
- Battery check



LEDs Indication

AC Led

LED status	Description
ON	AC power presents
OFF	AC power does not presents

NET Led

LED status	Description
Blink* (0,5 on / 0,5 off)	Network disconnected
Blink* (0,5 on / 3 off)	Network connected

LINE Led

LED status	Description
ON	Hook off
OFF	Hook on
Blink* (2 on / 4 off)	Ringling
Blink* (0,5 on / 0,5 off)	Connection established

BAT Leds

LED status	Description
ON	Battery is full charged 100%.
Blink* (3 on / 1 off)	Battery over 70%.
Blink* (1 on / 3 off)	Battery over 50%
OFF	Battery not connected or damaged

Signal Leds

LED status			Description
S1	S2	S3	
0	0	0	Signal not Detectable or < -115dBm
1	0	0	Signal < - 91dBm (Weak)
1	1	0	Signal < - 71dBm (Good)
1	1	1	Signal < - 51dBm (Excellent)

*Blink is in seconds.



SMS Programming Table

Command	Description	Edit - Delete	Ask
USER AUTHORIZED			
1	Calling number (4)	#0000#1#...n...,...n2...,...n3...* Example : n =00302102323345	#0000#1#?
2	Low battery call number	#0000#2#6974587393* Delete : #0000#2#_*	#0000#2#?
3	User password	#0000#3#1E5D*	-
4	Buzzer function	#0000#4#0*(OFF) #0000#4#1*(ON)	#0000#4#?
5	Missed call function	#0000#5#0*(OFF) #0000#5#1*(ON)	#0000#5#?
6	Ask monitor	-	#0000#6#?
7	Outputs-Relays		#0000#7#?
	R1	#0000#7#R1=1* ,R1=0*	
	R2	#0000#7#R2=1* ,R2=0*	
	R1,R2	#0000#7#R1=0,R2=0* #0000#7#R1=1,R2=1*	
8	Inputs-Optocouplers	#0000#8#0*(AUTO OFF) #0000#8#1*(AUTO ON)	#0000#8#?
ADMIN AUTHORIZED			
20	Admin password	#1111#20#1E5D*	-
21	Auto-run number	#1111#21#6974587393* Delete : #1111#21#_*	#1111#21#?
22	Voice function	#1111#22#0*(OFF) #1111#22#1*(ON)	-
23	Ask IMEI	-	#1111#23#?
24	SIM Card notifications	#1111#24#0*(OFF) #1111#24#1*(ON)	-

Note:

‘ _ ’ : Variable reset to 0, delete.

‘ * ’ : Save or Act on variable.

‘ ? ’ : Ask the content of variable.

‘ # ’ : Change parameter field.

‘ , ’ : Change scope of variable if more than one Ex.(#0000#7#R1=1,r8:0,r7=0,r1=0*)



Extra Information

For any extra information about installation or the operation mode of the device, please refer to the GSM Reference Manual which is uploaded at our website.

Technical Support

For technical support of this product, please refer to the local distributor or contact Intelco Electronics.

Intelco Electronics Contact Info :

Tel. :+30 210 23 23 345

Fax :+30 210 23 86 382

E-mail : info@intelco.com.gr

Website : www.intelco.gr

